

BUCKET BASKET TOTE

PATTERNS FOR THE MODERN SEWER & KNITTER



**FREE
PATTERN
DOWNLOAD!**

VERY SHANNON





HOW WILL YOU MAKE YOUR BUCKET BASKET TOTE TODAY?

The Bucket Basket Tote bag is perfect for customizing! Try switching up prints or mixing solids, adding embroidery or even fun quilted patchwork! You could even swap out the interfacing for quilt batting and quilt the entire Outer Bag before sewing the lining to it!

Want zippered pockets? Leather straps? Snaps? Velcro? Go for it! Have some fun!

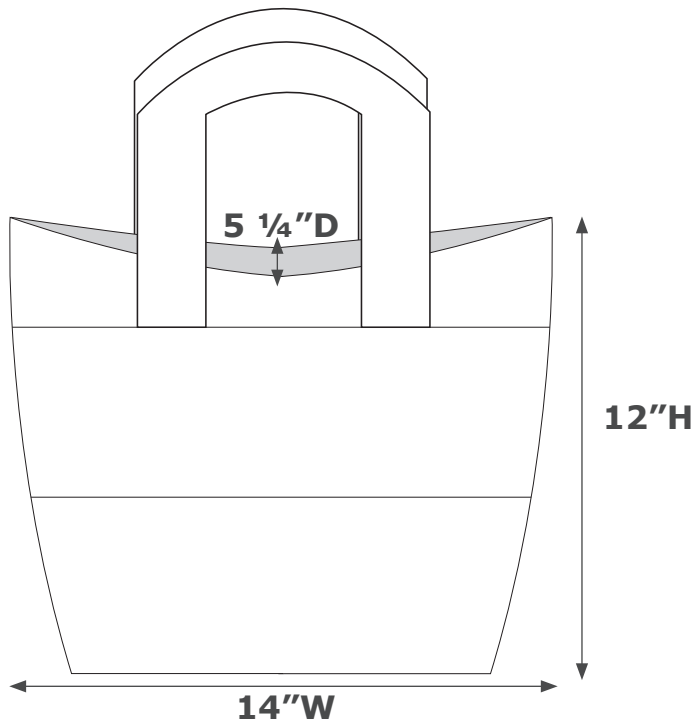
OPTION NOTES

SIZE, FABRIC REQUIREMENTS, SUPPLIES & TOOLS

FINISHED MEASUREMENTS

Finished Bucket Basket Tote measures:

12"H x 14"W x 5 1/4"D See diagram below.



SUPPLIES

Rotary Cutter w/mat

Scissors

Pins

Firm Fusible Interfacing - we used & love **Pellon 809 Decor-Bond**

Fusible Fleece - we used & love **Pellon 987F**

Co-ordinating Thread

TOOLS

Removable fabric marker or tailor's chalk.

HELPFUL TIP

You can can out one whole side of your tote from a Fat Quarter! This enables you to have some fun with your combos of fabrics & prints!

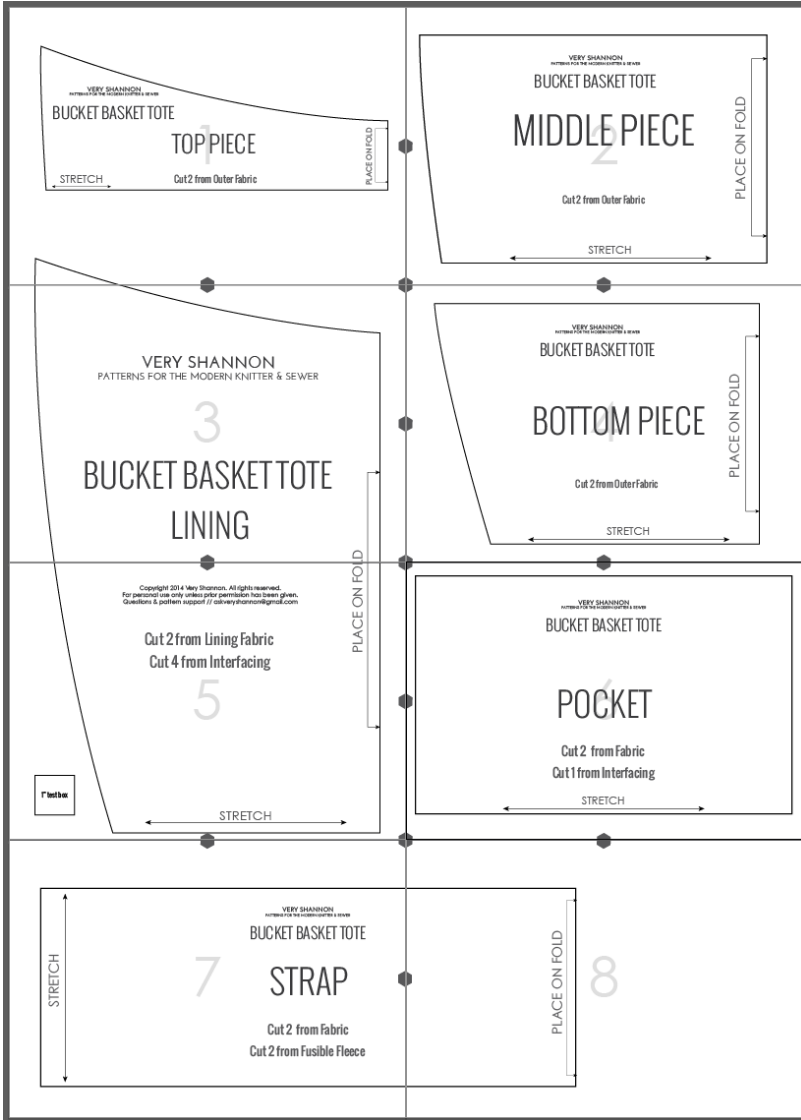
FABRIC REQUIREMENTS

The fabric requirements listed below vary based on your fabric selection and the placement of your fabric. Please note that the requirements given are for non-directional prints only.

Directional prints may require more fabric. Please plan accordingly when purchasing fabric. All requirements are based on 45" width fabric.

FABRIC REQUIREMENTS FOR BUCKET BASKET TOTE	
Bucket Basket Tote Lining Pattern Pieces	18"W x 30"H (or 36"W x 15"H)
Pocket Pattern Pieces	19"W x 6"H (or 9.5"W x 12"H)
Interfacing for Pocket	9.5"W x 6"H
Interfacing for Tote (includes Lining)	36"W x 29.75"H (4 pieces)
Strap Pattern Piece	10"W x 27"H (or 5"W x 54"H)
Fusible Fleece for Straps	10"W x 27"H (or 5"W x 54"H)
Top Pieces Outer Bag	18"W x 8"H
Middle Pieces Outer Bag	18"W x 12.25"H
Bottom Pieces Outer Bag	16.75"W x 12.75"H

PATTERN PIECES & CUTTING INSTRUCTIONS



Print out your Bucket Basket Tote, Pocket & Strap pattern pieces found on **Pages 14-21** using our Printing Instructions found on **Page 7**.

Cut out from your desired fabric the following for your Tote:

- 2 - Pocket Piece
- 1 - Interfacing for Pocket
- 2 - Lining Fabric
- 4 - Interfacing for both Lining & Outer Bag
- 2 - Top Pieces (Outer Bag)
- 2 - Middle Pieces (Outer Bag)
- 2 - Bottom Pieces (Outer Bag)
- 2 - Straps
- 2 - Fusible Fleece for Strap Pieces

After cutting out your pattern pieces iron on as per the manufacturers instructions the interfacing & fusible fleece to the following pieces ONLY.

- Straps (2) (Fusible Fleece)
- Lining Pieces (Interfacing)
- Pocket (1) (Interfacing)

Please note you will be attaching the interfacing to your Outer Bag pieces later in the pattern.

PATTERN NOTES

BEFORE YOU BEGIN

TIPS FOR SEWING

1. Read all instructions carefully before sewing.
2. Always wash/dry/press your fabrics before sewing with them unless fabric care states otherwise.
3. Follow the pattern **Cutting Instructions** on **Page 5** to find out how many pieces to cut.
4. Trace or cut your pattern taking care to mark all notches & other pattern markings onto your fabric with a removable fabric marker or tailor's chalk.
5. Seam allowances are included in the pattern and are ¼" unless otherwise stated.
6. Start and finish all seams with a backstitch unless otherwise stated.
7. Always press your seams as you work through the pattern.
8. Clip seam allowances where necessary. Clip corners of seam allowance to reduce bulk. Doing so enables your curves to lay nicely & flat.
9. Right side is depicted by white. Wrong side is depicted by grey.

GLOSSARY

1. **TOPSTITCH:** A straight stitch that is sewn ⅛" along the right edge of a seam.
2. **BACKSTITCH:** Sew in reverse for a few stitches at the beginning and end of your seam. This helps to prevent your stitches from coming unsewn.
3. **RS AND WS:** RS is the right side of your fabric and WS is the wrong side of your fabric (the inside of your garment would be the WS of your fabric).
4. **SA:** This is your seam allowance.
5. **NOTCHING:** With your scissors carefully clip into and along your seam allowance.

SOCIAL MEDIA

For more patterns & projects, please visit veryshannon.com. To stay up-to-date with new releases, events & projects please sign up for our FREE newsletter. Click **HERE** to join.

We love seeing your fabric choices, projects in progress and finished projects! Tag your Bucket Basket Tote Bags online using the hashtag **#BBTote!** And don't forget to upload your project pics to our Flickr Group **HERE**.

You can find Very Shannon on **facebook, instagram, pinterest, twitter, bloglovin & google +.**

BEFORE YOU BEGIN

PRINTING INSTRUCTIONS

Page size is 8.5" x 11". Pattern can be printed on both 8.5" x 11" paper and size A4.

Confirm when printing your pattern pieces that your printer is set to "actual size" and/or you set your page scaling to "none". Be sure not to select "shrink to fit" or any other page scaling as this will result in your pattern pieces being the incorrect size and your garment may not fit.

1. Seam allowances are already included on the pattern pieces.
2. Before printing out your entire pattern print out **Page 18** and double check your 1" test box. This is an important step that will save you from printing out the whole pattern in the wrong size. If the 1" test box is accurate after printing you are safe to print out all of your pattern pieces.

HELPFUL TIP

To be environmentally friendly print only your pattern pages and use a tablet/cellphone/computer to read your pattern instructions.

*Pattern pages ONLY can be found from **Pages 14 to 21**. Instructions can be found on **Pages 4 - 12**.*

TAPING INSTRUCTIONS

1. Print out all pattern pieces following the instructions given in Printing Instructions above.
2. Trim one horizontal and one vertical edge of each pattern page before taping. It's easiest to use a paper cutter and lay the pages atop of each other while cutting evenly but this can be done by hand as well or by using a rotary cutter just for paper. I recommend reading this **great tutorial** from Crafterhours on a fast & easy way to assemble PDF pattern pieces.
3. Simply match up each page with its coordinating page using our hexagon to align the pages. Tape or glue (using a glue-stick) pages together.
4. After all your pages are joined together cut out or trace your pattern pieces.

TERMS OF USE

This pattern is for personal use only. The purchaser may create sewn items for personal use or for charity. For commercial use, resale or for classes please contact us directly at **askveryshannon@gmail.com**

Permission to Sell Limited Licenses are available and information/pricing can be found at **www.veryshannon.com/patterns** or by emailing **askveryshannon@gmail.com**. We are happy to promote our licensed sellers. Our licensed sellers page can be found here: **www.veryshannon.com/licensedsellers**.

Any reproduction of this pattern in part or in whole is strictly prohibited. This pattern & its instructions are protected by copyright law. Please honor my copyright.

SEWING INSTRUCTIONS

HELPFUL TIP

All seam allowances are 1/4" unless otherwise stated.

STEP ONE: PREPPING YOUR FABRIC

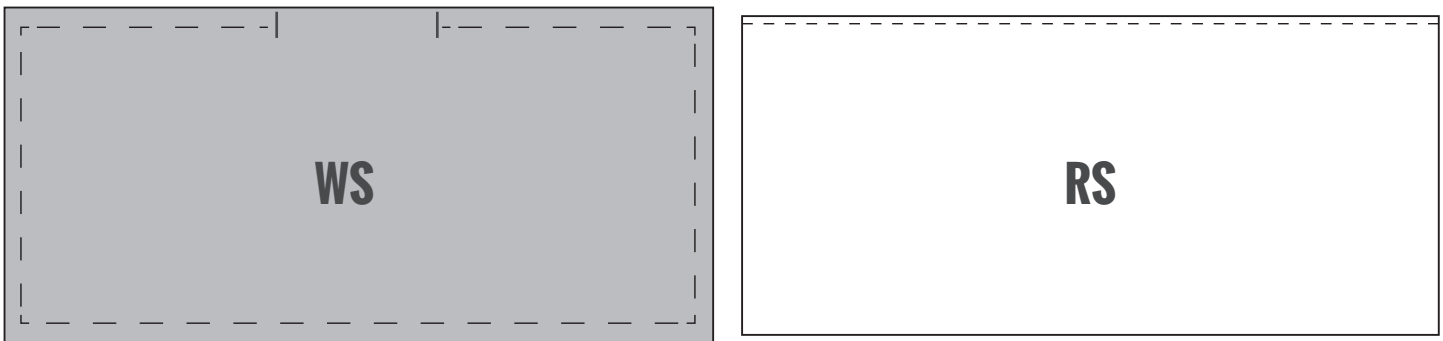
Cut out your Outer & Lining Bag Pieces, Pocket Pieces & Straps as well as your interfacing, and fusible fleece.

Iron as per the manufacturer's instructions the interfacing to your pieces as instructed in the **Pattern Pieces & Cutting Instructions** on **Page 5** EXCEPT for your Outer Bag. We will attach the interfacing to this in a later step.

STEP TWO: ASSEMBLING YOUR POCKETS

With RS facing each other, sew along all 4 sides of your pocket taking care to leave a 2" opening unsewn along the top edge of your pocket to pull your pocket right side out through.

Trim your corners neatly, taking care not to cut through your stitching, to allow for a nice corner when finished. See diagram below.



Turn your pocket RS out. Iron pocket carefully while also turning under a 1/4" seam allowance along the top portion of the pocket that was unsewn. Pin this section closed.

Topstitch along the upper edge of your pocket enclosing the unsewn portion. See diagram above.

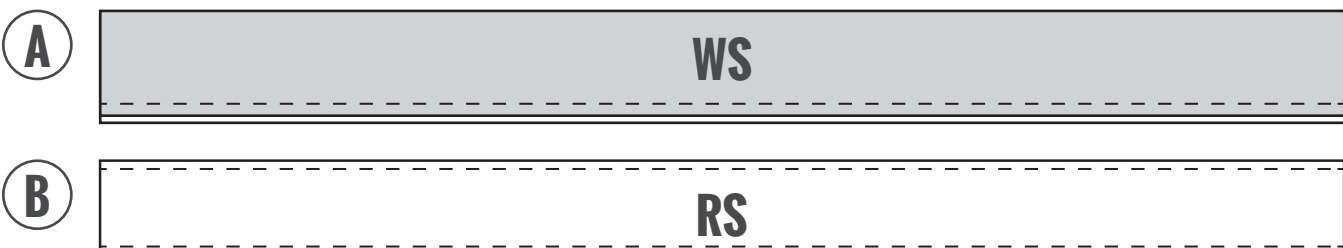
STEP THREE: ASSEMBLING YOUR HANDLES

Fold one of your straps in half lengthwise, with RS facing each other. Press.

Sew along your long edge. See diagram A below. Turn strap right side out.

Press strap flat making sure your newly sewn seam is now a side edge. Topstitch close to each side edge along entire strap. See diagram B below.

Repeat for other strap.

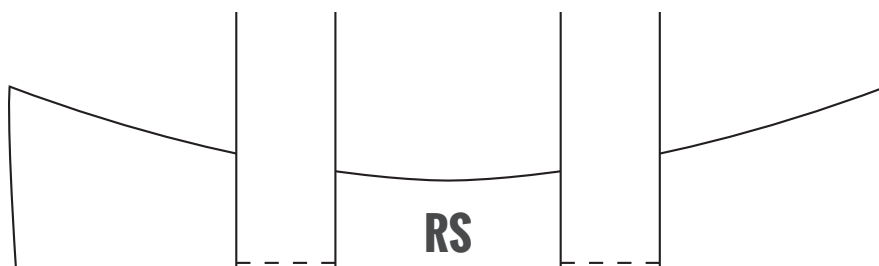


STEP FOUR: ATTACHING YOUR STRAPS

Mark on the bottom edge of the RS of the Top Piece of your Outer Bag your strap placement. Straps should each be placed 5" away from outer edge of bag.

Pin and baste one strap with a $\frac{1}{8}$ " SA to the bottom of your Top Piece. See diagram on right.

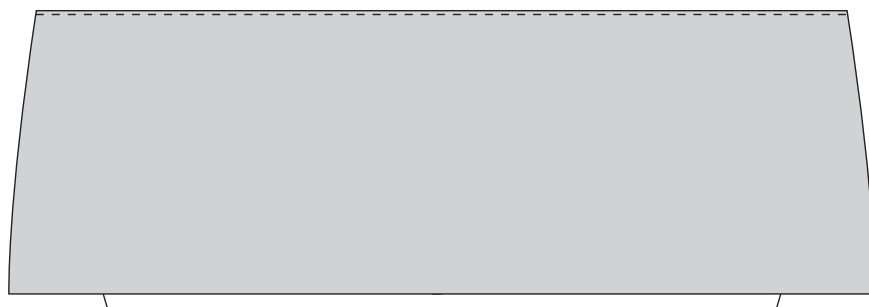
Repeat the above steps for your other strap and other Top Piece for your Outer Bag.



STEP FIVE: PIECING TOGETHER YOUR OUTER BAG

With RS facing each other place your Bottom Piece and your Middle Piece for your Outer Bag together, aligning the bottom edge of your Middle Piece to the top edge of your Bottom Piece. Pin in place.

Sew along this edge with a $\frac{1}{4}$ " seam allowance. Press seam allowance towards darker fabric. See diagram on right.

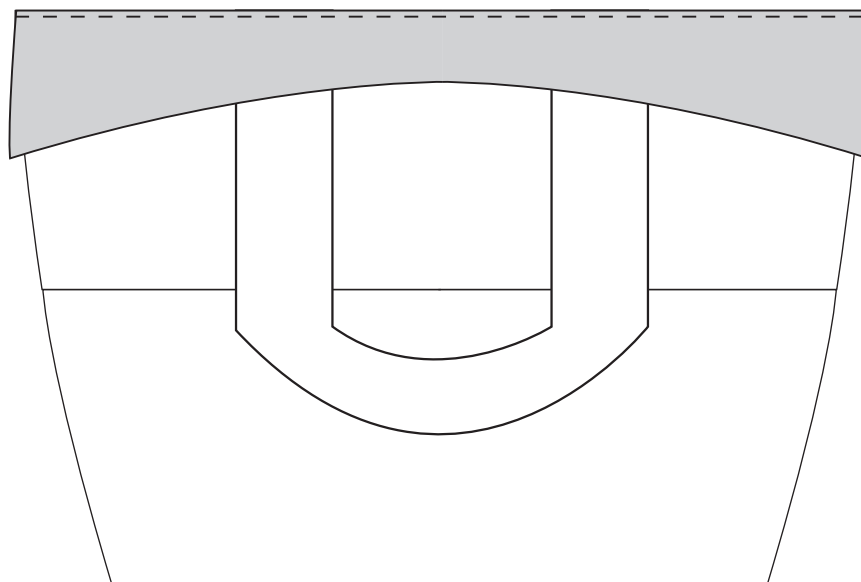


Place & pin your Top Piece RS facing with the other portion of your Outer Bag, aligning the bottom of your Top Piece with the top edge of your Outer Bag. Make sure your straps are pointed down and away from where you will be sewing.

Sew along this edge with a $\frac{1}{4}$ " SA. Press your seam allowance towards the darker fabric. See diagram below.

Repeat for your other Outer Bag Pieces.

You should now have an Outer Bag Front and Back. Attach your interfacing to your Outer Front and Back pieces now as per the manufacturer's instructions.

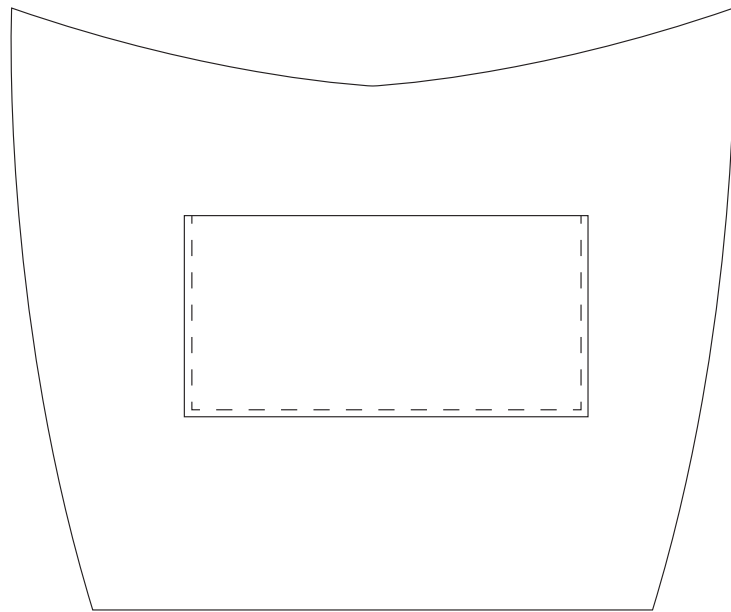
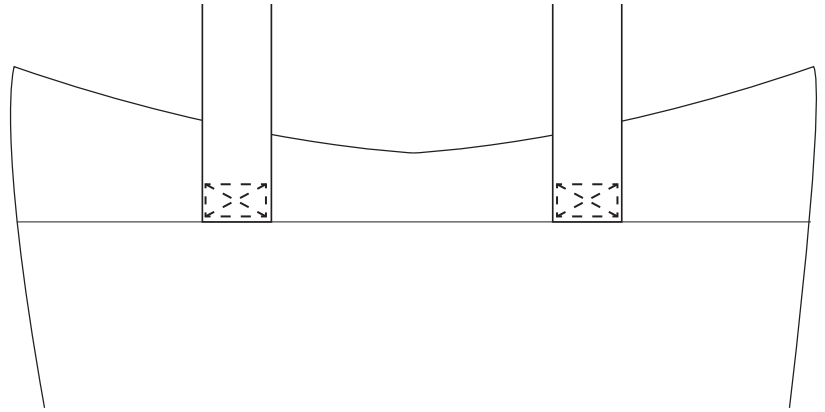


STEP SIX: ADHERING STRAPS

Lay your Outer Bag Front RS up. Press your straps upwards and flat.

Sew a rectangle with an "X" through it where your Top Piece meets your Middle Piece on your strap. See diagram on right.

Repeat for all 3 other straps. Press the sewn portion of your strap.



STEP SEVEN: ATTACHING POCKET

Lay one of your Lining Bag Pieces right side facing up. Measure 2.75" down from the top center of the bag. Mark this with your removable fabric marker or tailor's chalk.

Pin your pocket down onto your bag carefully aligning the top of your pocket with the mark you just made on your fabric and taking care the pocket is centered on your bag.

Topstitch your pocket down along 3 sides of your pocket, leaving the top portion unsewn to form your pocket taking care to backstitch well at the start and finish of sewing to ensure a strong pocket. See diagram on left.

STEP EIGHT: SEWING YOUR LINING BAG

Place your Lining Front and Lining Back RS facing each other and pin along side and bottom edges.

Sew sides and bottom of bag together with a 1/4" seam allowance. See diagram on right.

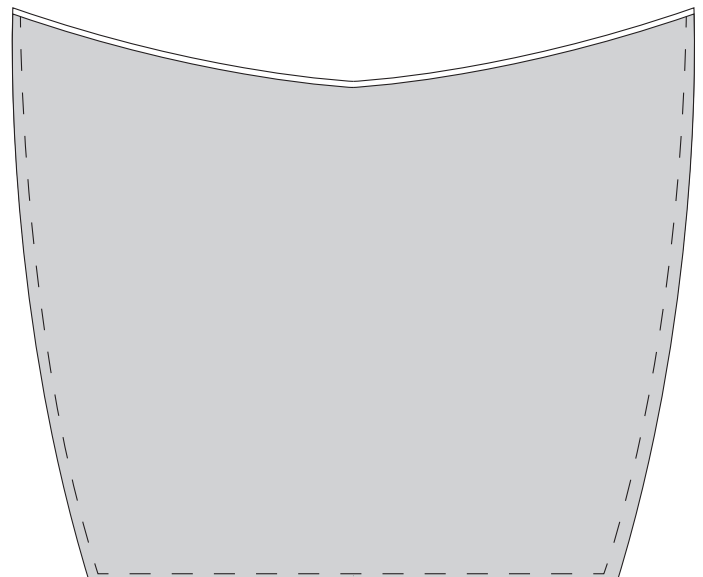
Leave Lining Bag inside out for now.

STEP NINE: SEWING OUTER BAG

Place your Outer Bag Front and Outer Bag Bag RS facing each other and pin along side and bottom edges.

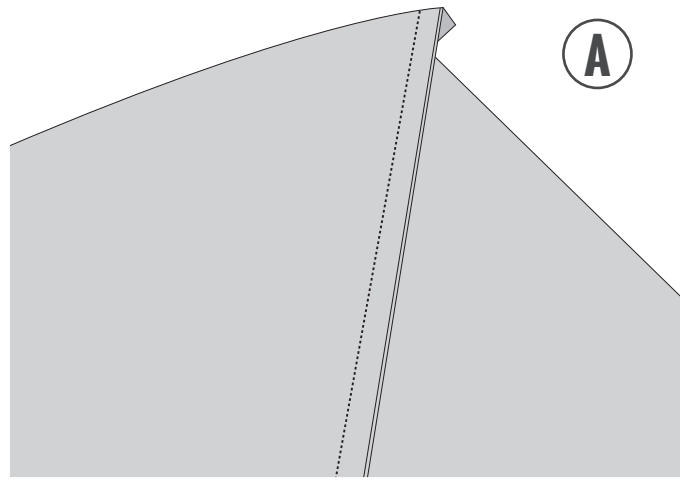
Sew sides and bottom of bag together with a 1/4" seam allowance. See diagram on right.

Leave Outer Bag inside out for now.



STEP TEN: MAKING YOUR BOX CORNERS

With your Outer Bag still inside out, match your side seam with your bottom seam to create a point. Pinch and flatten the corner so that your seam allowance is now centered and right in front of you. Double check your seam allowances match for a nice finish. Pinch and flatten the corner out. Lay it flat. See diagram A below.

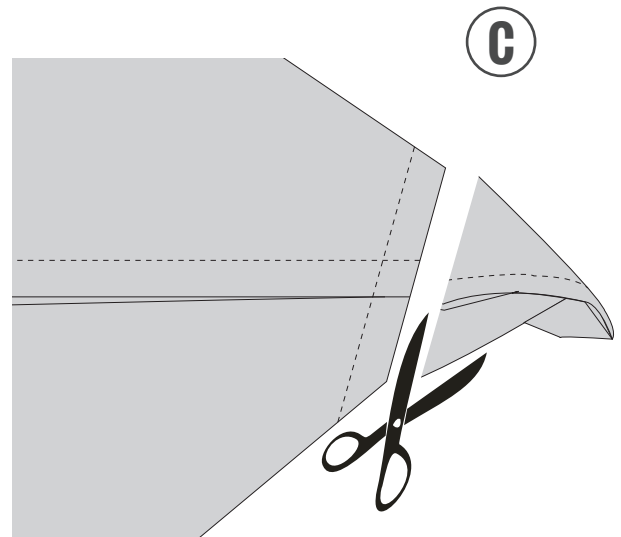
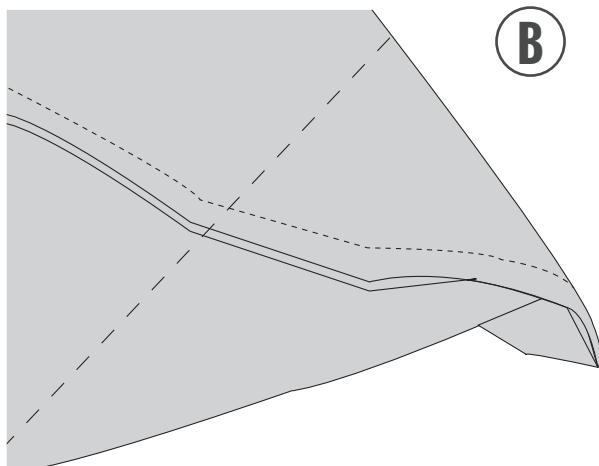


Measure out and mark 1.25" away from the corner (or point). Draw a line from edge to edge. Pin flat.

Sew along the line you just drew. See diagram B below.

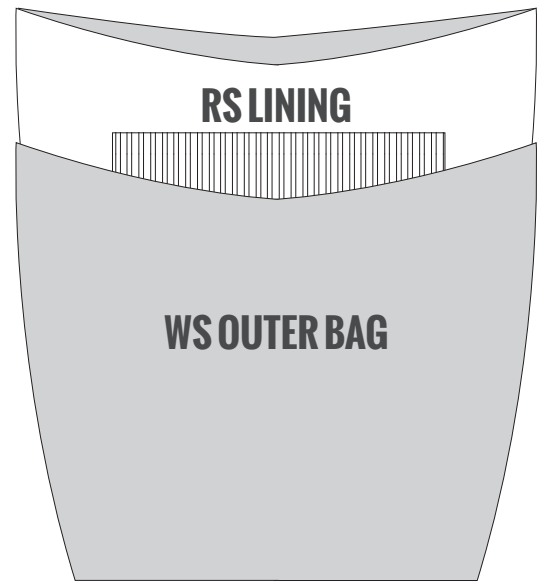
Repeat for your other corner. Turn bag right side out and make sure you are happy with the look. If so, trim your corners down to 1/4" seam allowance. See diagram C below.

Repeat for your Lining Bag. Both your Outer Bag and your Lining Bag will now have box corners.



STEP ELEVEN: JOINING LINING TO OUTER BAG

Turn your Outer Bag inside out making sure your straps are laying inside the bag. Turn your Lining Bag right side out. Place your Lining Bag inside of your Outer Bag, aligning the top edges and pinning along this edge. See diagram on right.



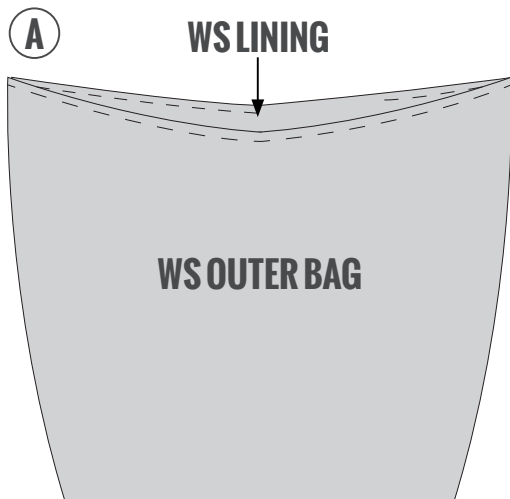
HELPFUL TIP

It helps to sew this step with your needle going down through the WS Lining (you will see this side when your sewing foot is down). Take note that your bobbin thread will be the color that will show on your Outer Bag when you are done.

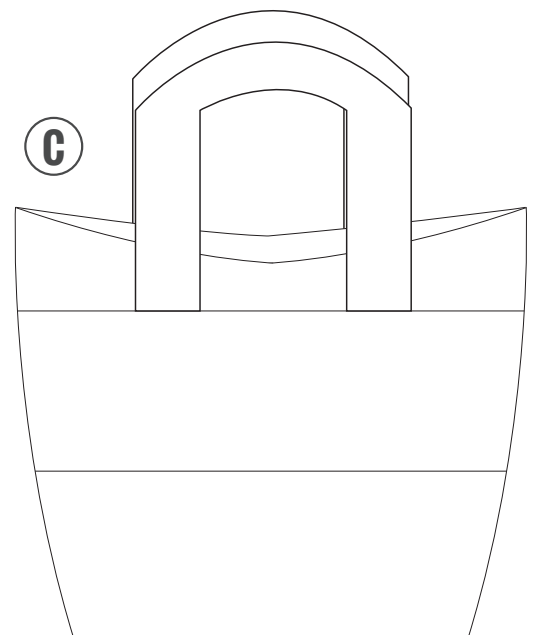
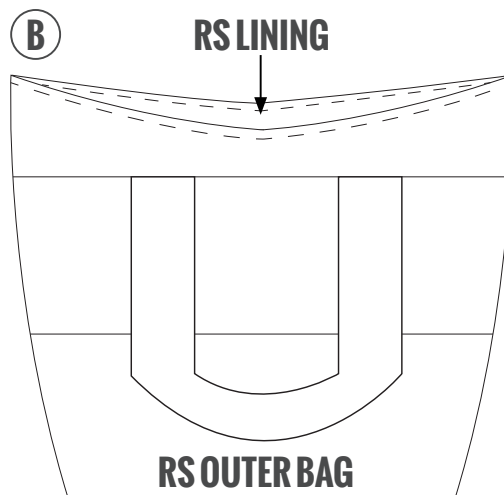
Sew along the entire top edge of the bags taking care to leave a 6-8" opening to turn the bag right side out through after. See diagram A below.

Turn your bag right side out. When turning right side out you can now push the lining bag down and inside of the Outer Bag. Press your edges neatly and pin your opening shut. Keep your bag straps downwards and out of the way of the top of the bag.

Topstitch along the entire top edge of your bag. This will close your opening shut. See diagram B below. Press neatly. See diagram C below.



You're done! Wasn't that fun! I hope you enjoyed making your Basket Bucket Tote!



We want to see your Bucket Basket Tote! Share your totes with us on social media!

Use the hashtag **#BBTOTE** on Twitter and Instagram!



Sign up for our **FREE newsletter** to stay up to date on sales, new pattern releases, giveaways & more!

VERY SHANNON
PATTERNS FOR THE MODERN KNITTER & SEWER

BUCKET BASKET TOTE

TOP PIECE

STRETCH

Cut 2 from Outer Fabric

PLACE ON FOLD



VERY SHANNON
PATTERNS FOR THE MODERN KNITTER & SEWER

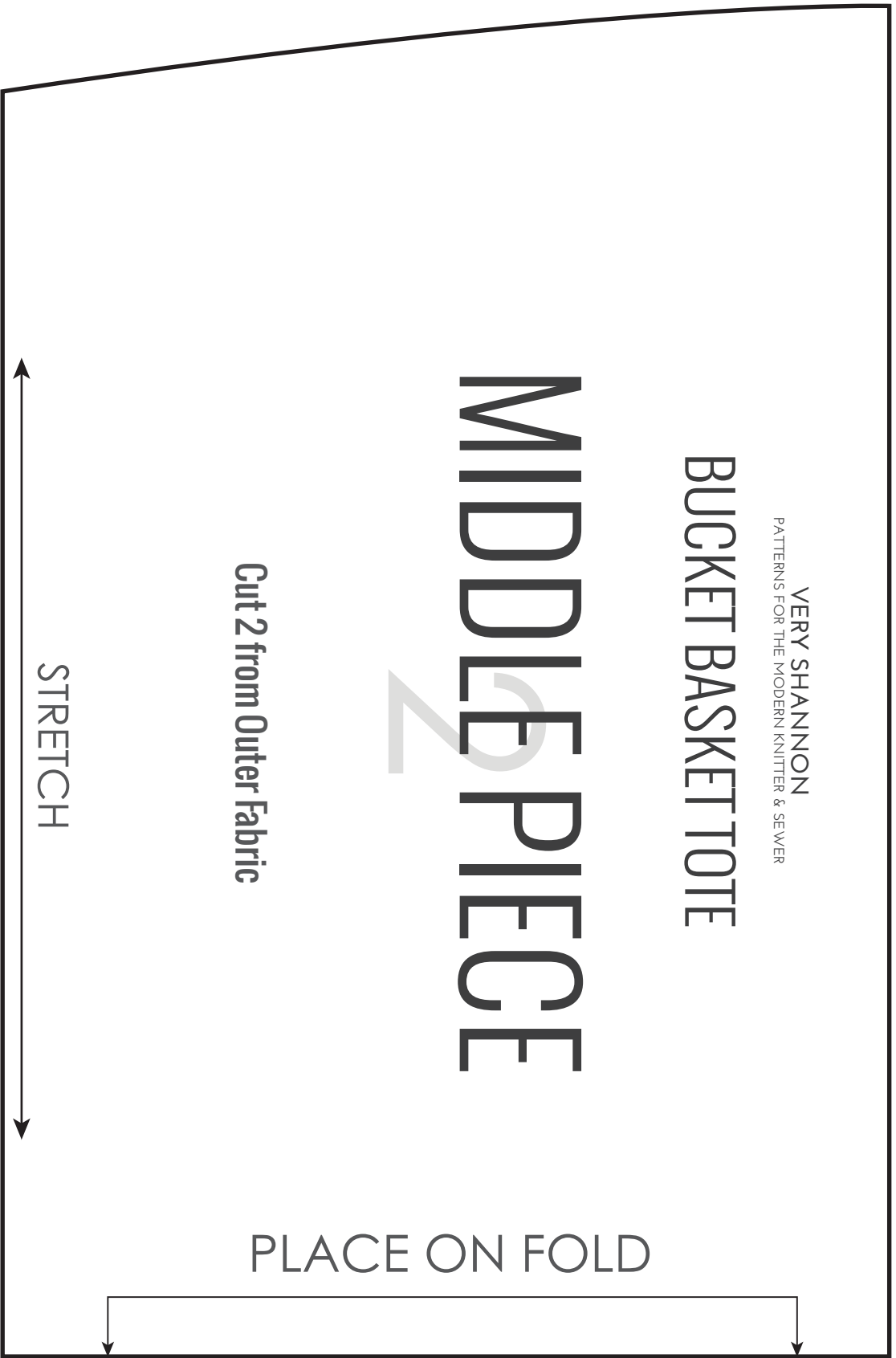
BUCKET BASKET TOTE

MIDDLE PIECE

Cut 2 from Outer Fabric

STRETCH

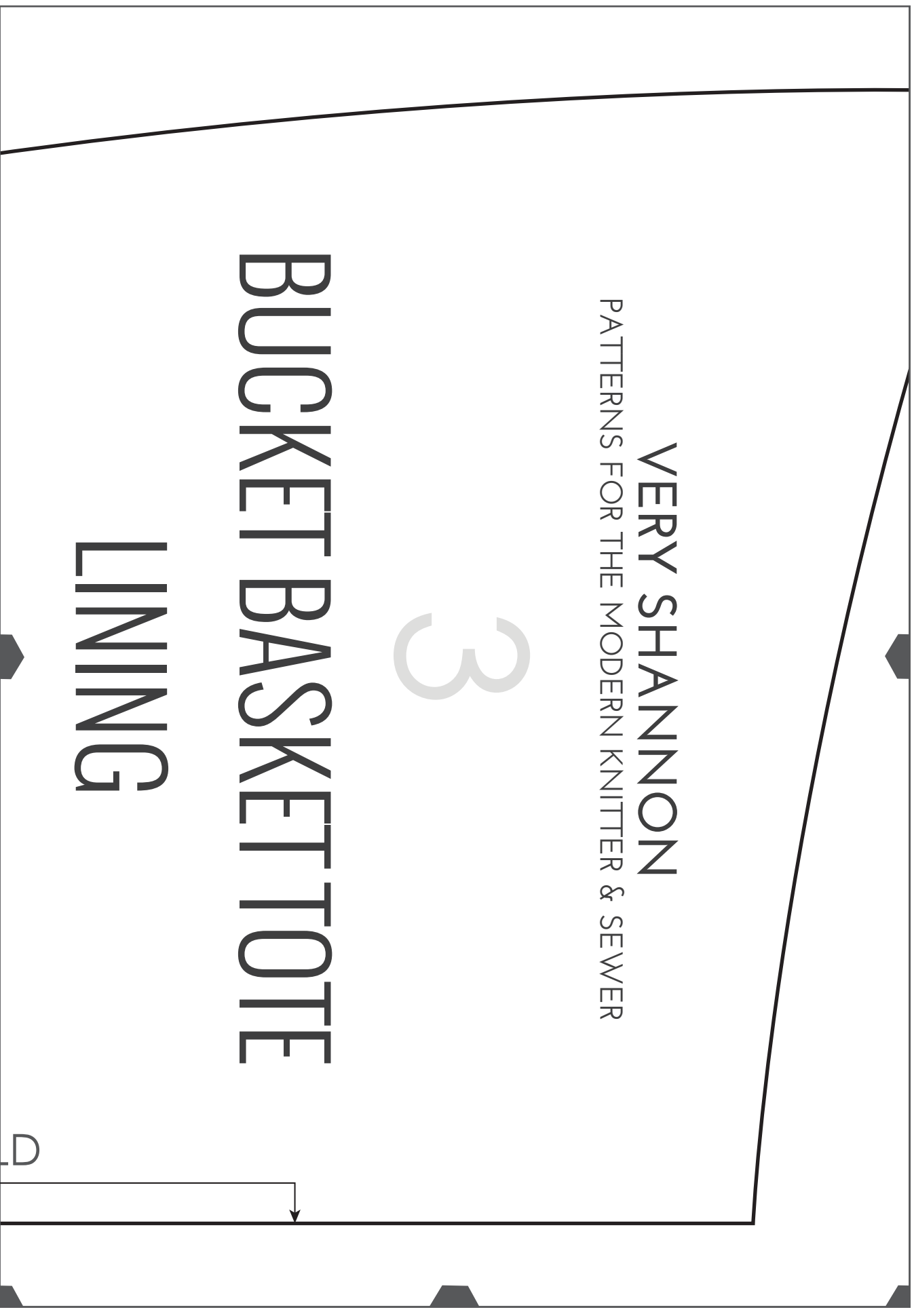
PLACE ON FOLD



VERY SHANNON
PATTERNS FOR THE MODERN KNITTER & SEWER

3

BUCKET BASKET TOTE LINING



VERY SHANNON
PATTERNS FOR THE MODERN KITTER & SEWER

BUCKET BASKET TOTE

BOTTOM PIECE

Cut 2 from Outer Fabric

STRETCH

PLACE ON FOLD



Copyright 2014 Very Shannon. All rights reserved.
For personal use only unless prior permission has been given.
Questions & pattern support // askveryshannon@gmail.com

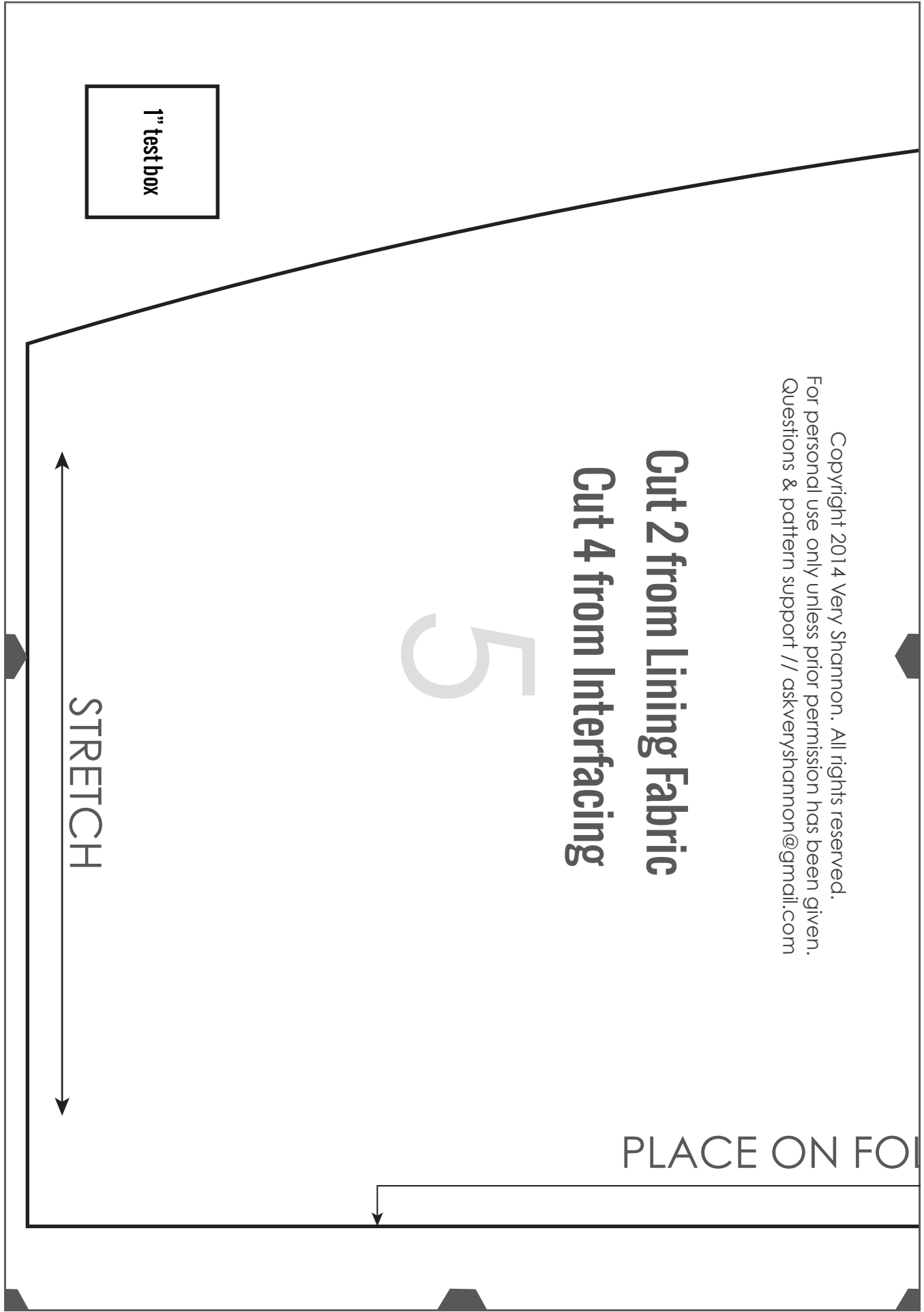
Cut 2 from Lining Fabric
Cut 4 from Interfacing

5

STRETCH

1" test box

PLACE ON FOI



VERY SHANNON
PATTERNS FOR THE MODERN KNITTER & SEWER

BUCKET BASKETTOTE

POCKET

Cut 2 from Fabric

Cut 1 from Interfacing

STRETCH



VERY SHANNON
PATTERNS FOR THE MODERN KNITTER & SEWER

BUCKET BASKET TOTE

7

STRAP

Cut 2 from Fabric

Cut 2 from Fusible Fleece

STRETCH



PLACE ON FOLD

